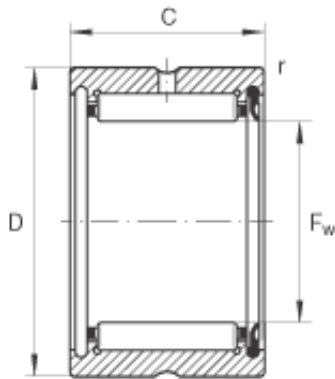




# EYA Bearing Roller Industry Co.,Ltd

## INA RNA4908-RSR needle roller bearings



Bearing No. RNA4908-RSR

RNA4908-RSR Bearing 2D drawings and 3D CAD models

Size	48x62x22 mm
Bore Diameter	48 mm
Outer Diameter	62 mm
Width	22 mm
$F_w$	48 mm
D	62 mm
C	22 mm
$r_{min}$	0,6 mm
m	154 g / Weight
$C_r$	41000 N / Dynamic load rating (radial)
$C_{Or}$	53000 N / Static load rating (radial)
$C_{ur}$	8800 N / Fatigue limit load, radial
$n_{G\ Fett}$	4200 1/min / Limiting speed for grease lubrication
Category	Needle Non Thrust Roller Bearings
Inventory	0.0
Manufacturer Name	SCHAEFFLER GROUP
Minimum Buy Quantity	N/A
Weight / Kilogram	0.15
EAN	4012802701562
Product Group	B04144
Rolling Element	Needle Roller Bearing
Component	Roller Assembly with Outer Ring - No Inner Ring



## EYA Bearing Roller Industry Co.,Ltd

Enclosure	1 Seal
Self Aligning	No
Retainer	Yes
Number of Rows of Rollers	Single Row
Separable	No
Closed End	No
Inch - Metric	Metric
Relubricatable	Yes
Thrust Bearing	No
Long Description	48MM Bore; 62MM Outside Diameter; 22MM Width; Needle Roller Bearing; Roller Assembly with Outer Ring - No Inner Ring; 1 Seal Enclosure; No Self Aligning; Retainer; Single Row of Rollers; No Separable;
Other Features	2 Rib Outer Ring   Precision Bearing   Steel Cage   Ground Raceway with Rib   Oil Hole
Category	Needle Non Thrust Roller Bearing
UNSPSC	31171512
Harmonized Tariff Code	8482.40.00.00
Noun	Bearing
Keyword String	Needle
Manufacturer URL	<a href="http://www.ina.com">http://www.ina.com</a>
Manufacturer Item Number	RNA4908RS
Weight / LBS	0.34
Width	0.866 Inch   22 Millimeter
Bore	1.89 Inch   48 Millimeter
Outside Diameter	2.441 Inch   62 Millimeter