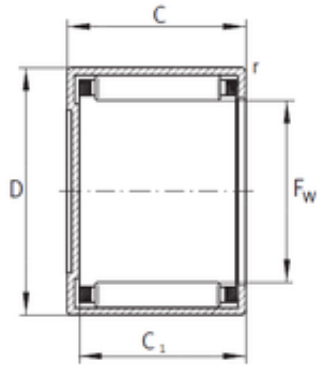




EYA Bearing Roller Industry Co.,Ltd

INA BCE2610 needle roller bearings



Bearing No. BCE2610

Size	41.275x50.8x15.875 mm
Bore Diameter	41,275 mm
Outer Diameter	50,8 mm
Width	15,875 mm
Fw	41,275 mm
D	50,8 mm
C	15,875 mm
Weight	0,055 Kg
Basic dynamic load rating (C)	25,5 kN
Basic static load rating (C0)	40 kN

BCE2610 Bearing 2D drawings and 3D CAD models