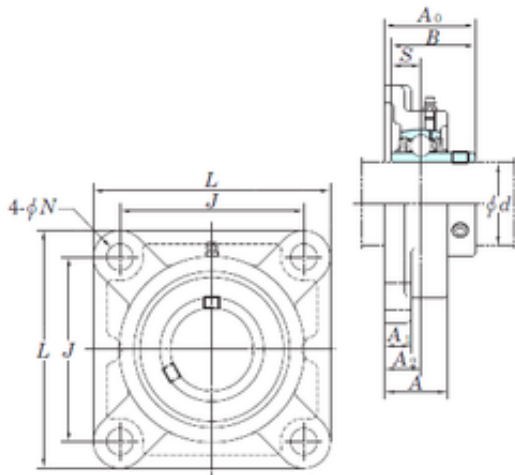




EYA Bearing Roller Industry Co.,Ltd



KOYO UCF216E bearing units

Bearing No. UCF216E

Bore Diameter	80 mm
d	80 mm
A0	83,3 mm
A	58 mm
A1	22 mm
B	82,6 mm
J	165 mm
L	208 mm
N	19 mm
S	33,3 mm
Bolt (G)	11/16
A2	34 mm
Weight	7,3 Kg
Basic dynamic load rating (C)	72,7 kN
Basic static load rating (C0)	53 kN

UCF216E Bearing 2D drawings and 3D CAD models