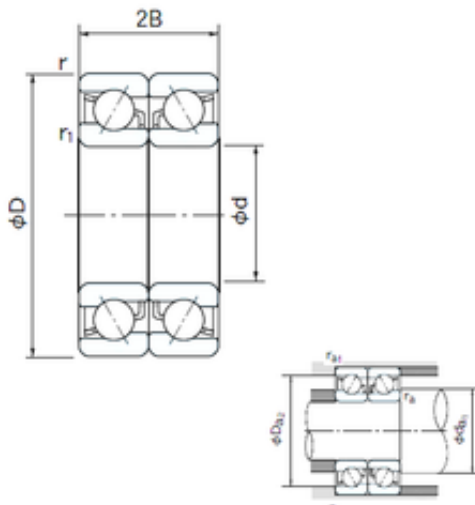




EYA Bearing Roller Industry Co.,Ltd



7234DB Bearing 2D drawings and 3D CAD models

NACHI 7234DB angular contact ball bearings

Bearing No. 7234DB

Size	170x310x52 mm
Bore Diameter	170 mm
Outer Diameter	310 mm
Width	52 mm
d	170 mm
D	310 mm
B	52 mm
C	52 mm
Angle (°)	30 °
a	43.3 mm
r min.	4 mm
r1 min.	1.5 mm
2B	104 mm
da min.	179 mm
Da max.	301 mm
ra max.	1.5 mm
Weight	17.4 Kg
Basic dynamic load rating (C)	440 kN
Basic static load rating (C0)	660 kN
(Grease) Lubrication Speed	1400 r/min
Bore Type	Cylindrical Bore
Enclosure	Open
Configuration	Duplex
Bore Size	170 mm
Outside Diameter	310 mm
Width	52 mm



EYA Bearing Roller Industry Co.,Ltd

Fillet Radius/Chamfer	4 mm
r1	1.5 mm
Dynamic Load Rating	440,000 N
Static Load Rating	660,000 N
Limiting Speed - Grease	1,400 rpm
Limiting Speed - Oil	1,900 rpm
da1 (min)	188 mm
da2 (min)	179 mm
Da1 (max)	292 mm
Da2 (max)	301 mm
ra (max)	3 mm
ra1 (max)	1.5 mm