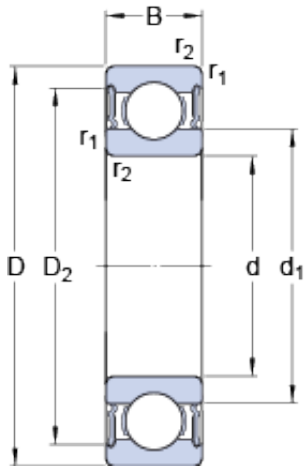




# EYA Bearing Roller Industry Co.,Ltd



6018-2RS1 Bearing 2D drawings and 3D CAD models

## SKF 6018-2RS1 deep groove ball bearings

Bearing No. 6018-2RS1

Size	140x90x24 mm
Bore Diameter	140 mm
Outer Diameter	90 mm
Width	24 mm
d	90 mm
D	140 mm
B	24 mm
d <sub>1</sub>	105.95 mm
D <sub>2</sub>	128.3 mm
r <sub>1,2</sub> - min.	1.5 mm
d <sub>a</sub> - min.	97 mm
d <sub>a</sub> - max.	105.9 mm
D <sub>a</sub> - max.	133 mm
r <sub>a</sub> - max.	1.5 mm
Basic dynamic load rating - C	60.5 kN
Basic static load rating - C <sub>0</sub>	50 kN
Fatigue load limit - P <sub>u</sub>	2 kN
Limiting speed	2800 r/min
Calculation factor - k <sub>r</sub>	0.025
Calculation factor - f <sub>0</sub>	15.6
Category	Single Row Ball Bearings
Inventory	0.0
Manufacturer Name	SKF
Minimum Buy Quantity	N/A
Weight / Kilogram	1.2



## EYA Bearing Roller Industry Co.,Ltd

EAN	7316577740625
Product Group	B00308
Enclosure	2 Seals
Precision Class	ABEC 1   ISO P0
Maximum Capacity / Filling Slot	No
Rolling Element	Ball Bearing
Snap Ring	No
Internal Special Features	No
Cage Material	Steel
Enclosure Type	Contact Seal
Internal Clearance	C0-Medium
Inch - Metric	Metric
Long Description	90MM Bore; 140MM Outside Diameter; 24MM Outer Race Diameter; 2 Seals; Ball Bearing; ABEC 1   ISO P0; No Filling Slot; No Snap Ring; No Internal Special Features
Category	Single Row Ball Bearing
UNSPSC	31171504
Harmonized Tariff Code	8482.10.50.68
Noun	Bearing
Keyword String	Ball
Manufacturer URL	<a href="http://www.skf.com">http://www.skf.com</a>
Manufacturer Item Number	6018-2RS1
Weight / LBS	2.65
Bore	3.543 Inch   90 Millimeter
Outside Diameter	5.512 Inch   140 Millimeter
Outer Race Width	0.945 Inch   24 Millimeter
bore diameter:	90 mm
static load capacity:	50 kN
outside diameter:	140 mm



## EYA Bearing Roller Industry Co.,Ltd

precision rating:	ABEC 1 (ISO Class Normal)
overall width:	24 mm
finish/coating:	Uncoated
bore type:	Round
cage material:	Steel
closure type:	Double Sealed
outer ring width:	24 mm
row type & fill slot:	Single Row Non-Fill Slot
fillet radius:	1.5 mm
internal clearance:	C0
maximum rpm:	2800 RPM
operating temperature range:	-40 to +210 ° F
series:	60
dynamic load capacity:	60.5 kN
$d_1$	105.95 mm
$D_2$	128.3 mm
$r_{1,2}$ min.	1.5 mm
$d_a$ min.	97 mm
$d_a$ max.	105.9 mm
$D_a$ max.	133 mm
$r_a$ max.	1.5 mm
Basic dynamic load rating C	60.5 kN
Basic static load rating $C_0$	50 kN
Fatigue load limit $P_u$	1.96 kN
Calculation factor $k_r$	0.025
Calculation factor $f_0$	15.6
Mass bearing	1.19 kg